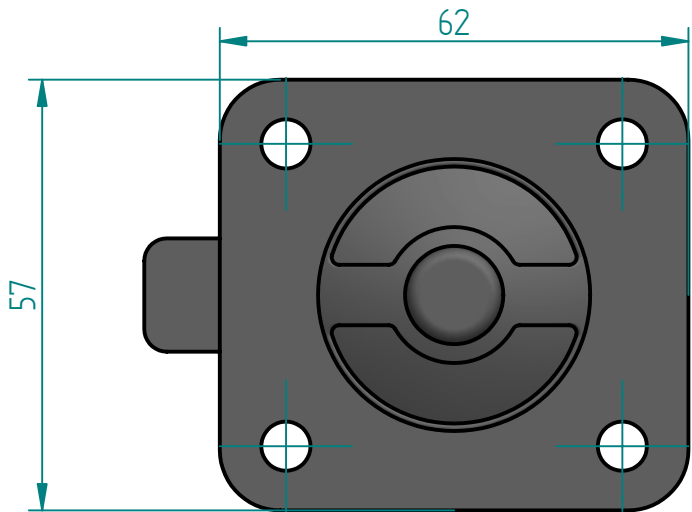
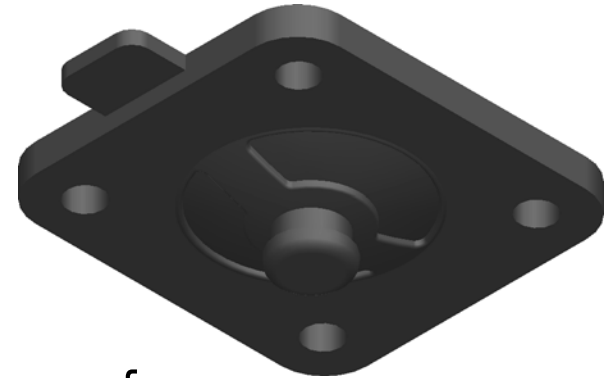
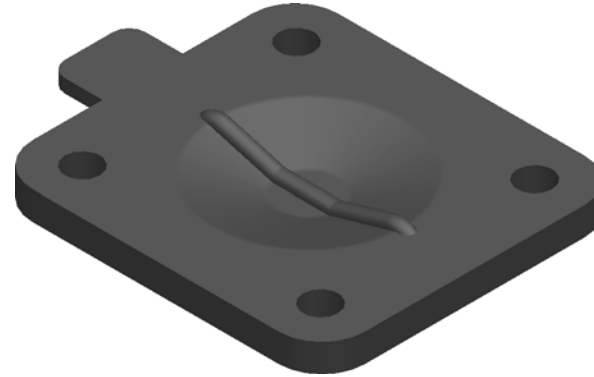


Ø 6,5 (4 HOLES)



REVISION HISTORY			
REV	DESCRIPTION	DATE	APPROVED



### Replacement Diaphragm for :-

Grade : FPM/FKM - FDA

USED ON 3/4" (DN20) Diaphragm Valve

	NAME	DATE
DRAWN	M.MC KEON	01/21/15
CHECKED		



**Material - FPM/FKM**

TITLE **DD07-SFPM**

FDA Compliance :  
21 CFR 177.2600

SIZE A FOOT PRINT DIMENSIONS REV B

FILE NAME: DD07-SFPM.dft

SCALE: 1 : 1 ECO:0605 SHEET 1 OF 1

Disclaimer - Diaphragm Direct® does not manufacture, represent, nor sell OEM valves or diaphragms manufactured by any other company. Diaphragm Direct® brand diaphragms are not sponsored by any other manufacturers. Any name, model, part number, brand, image, material or referral is for descriptive purposes only. Diaphragm Direct® brand replacement diaphragms are guaranteed to fit OEM equipment and meet or exceed OEM specifications. Diaphragm Direct® brand replacement diaphragms are covered by the standard Diaphragm Direct® limited product warranty.